

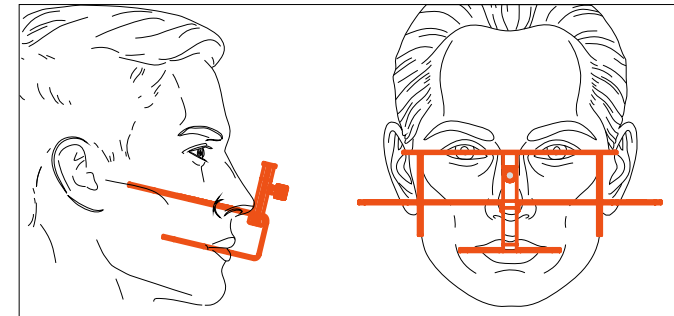
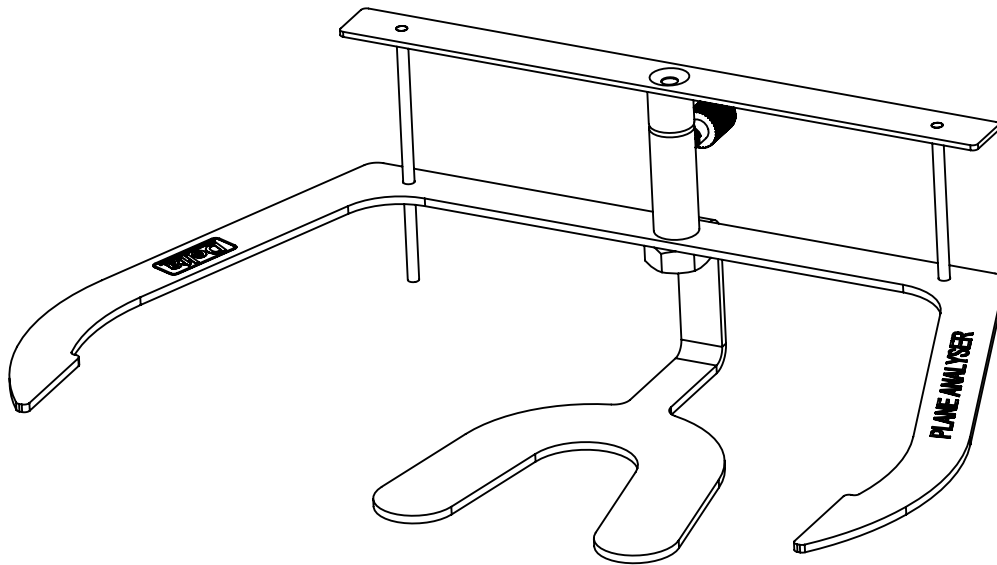
#### Dear Customer,

Thank you for purchasing the Xtend plane analyser. The device has been design according to the latest industry standards, inappropriate use may damage the product and harmful to the user. Please observe this relevant safety instruction and read the operating instructions carefully.

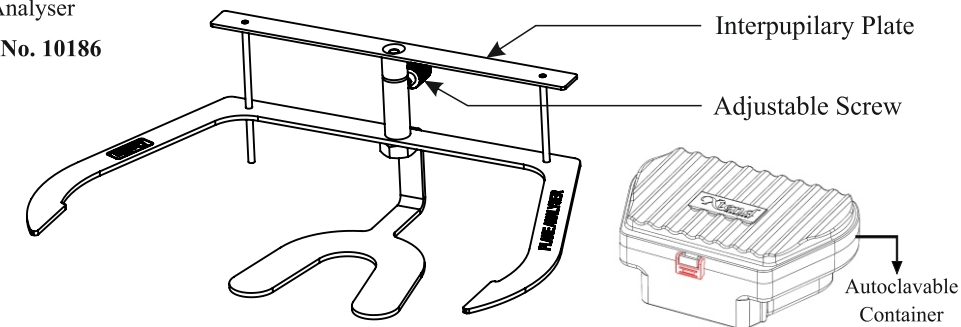
#### Indication:

Xtend plane analyser is used to analyse the anatomical plane (Alatragal line) of the patient in relation to the interpupillary line and thereby establish the occlusal plane for the prosthesis in order to achieve functional stability. It has a vertically adjustable (max- 10mm)interpupillary reference plate, The plane analyser is used widely in complete denture fabrication to check the occlusal plane during.

- Jaw Relation
- Denture trial



Xtend Analyser  
Article No. 10186



#### Cleaning & Sterilization:

- The plane analyser can be disinfected & cleaned in an ultrasonic cleaner or manually .
- Autoclavable at 121°C (use the autoclavable container supplied along with the xtend analyser).

Caution: 1. Handle the xtend analyser gently while using, cleaning and sterilizing  
2. Always store the xtend analyser in the container provided along with it



Manufactured by  
**Delta Labs**  
323, SIDCO Women Industrial Estate, Vellanur P.O., Thirumullaivoyal,  
Chennai - 600 062. INDIA. Ph: 00 91 9884922713  
Email: [info@deltadentallabs.com](mailto:info@deltadentallabs.com) / [www.deltadentallabs.com](http://www.deltadentallabs.com)



**ISO 13485:2016  
CERTIFIED**